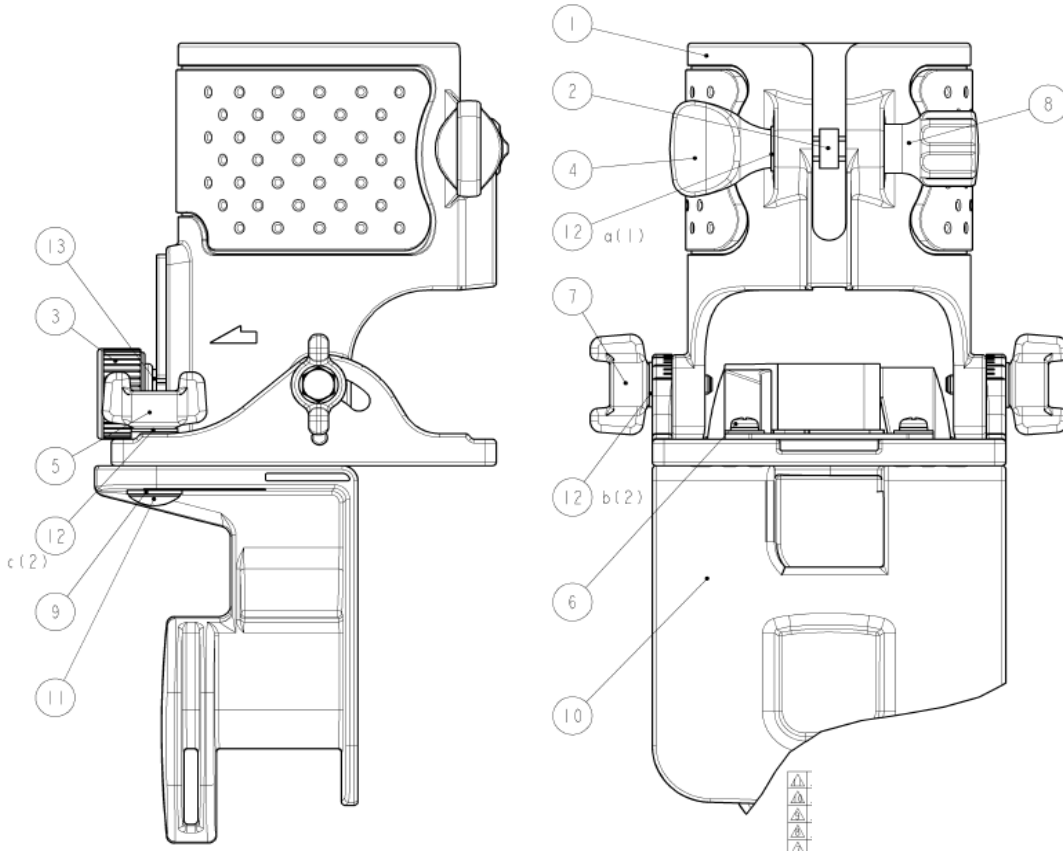




10 - 2011
Part No. 122753-2
Tilt Trimmer Base Assy
 (Optional Accessory for 3709, 3709X)



Item N	Type	Part No.	Description	Q'ty	Unit
1		154670-8	BASE COMPLETE	1	PC.
	INC.	256093-7	PIN 4	2	PC.
	INC.	419140-7	BASE HOLDER	1	PC.
2		226217-9	SPUR GEAR 16	1	PC.
3		251814-2	SCREW M6X18	1	PC.
4		252652-5	THUMB NUT M5	1	PC.
5		252653-3	THUMB NUT M5	2	PC.
6	1	265142-9	+ PAN HEAD SCREW M4X10 (TYPE1)	2	PC.
	2	911114-9	PAN HEAD SCREW M4X10 (TYPE2)	2	PC.
7		265761-1	THUMB SCREW M5X16	2	PC.
8		265771-8	THUMB SCREW M5X33	1	PC.
9		267240-5	FLAT WASHER 8	2	PC.
10		414304-8	TRIMMER SHOE	1	PC.
11		923241-0	CAP SQUARE NECK BOLT M5X25	2	PC.
12		941101-4	FLAT WASHER 5	5	PC.
13		941151-9	FLAT WASHER 6	1	PC.